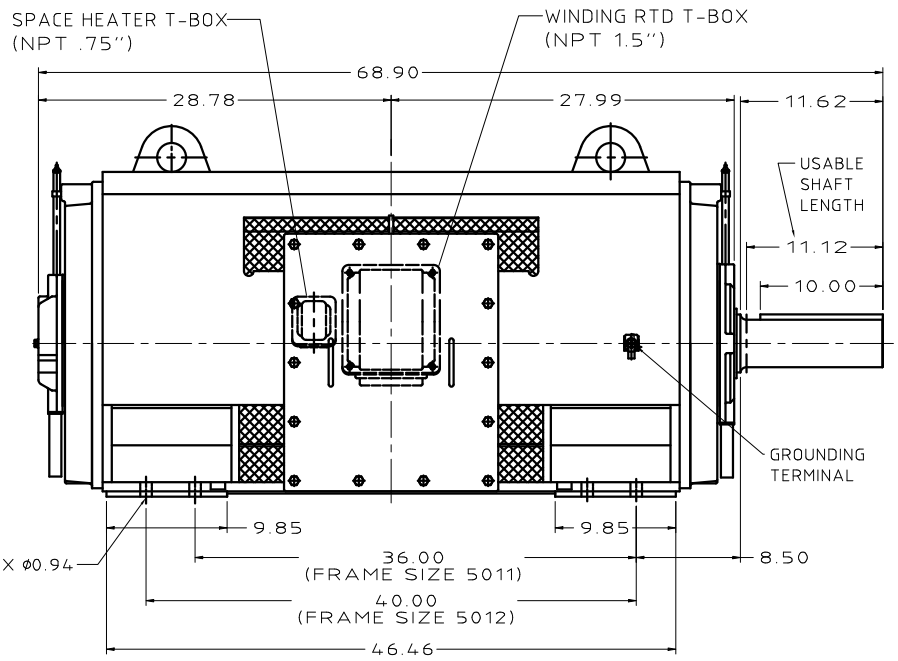
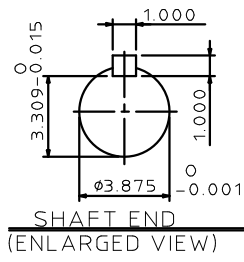
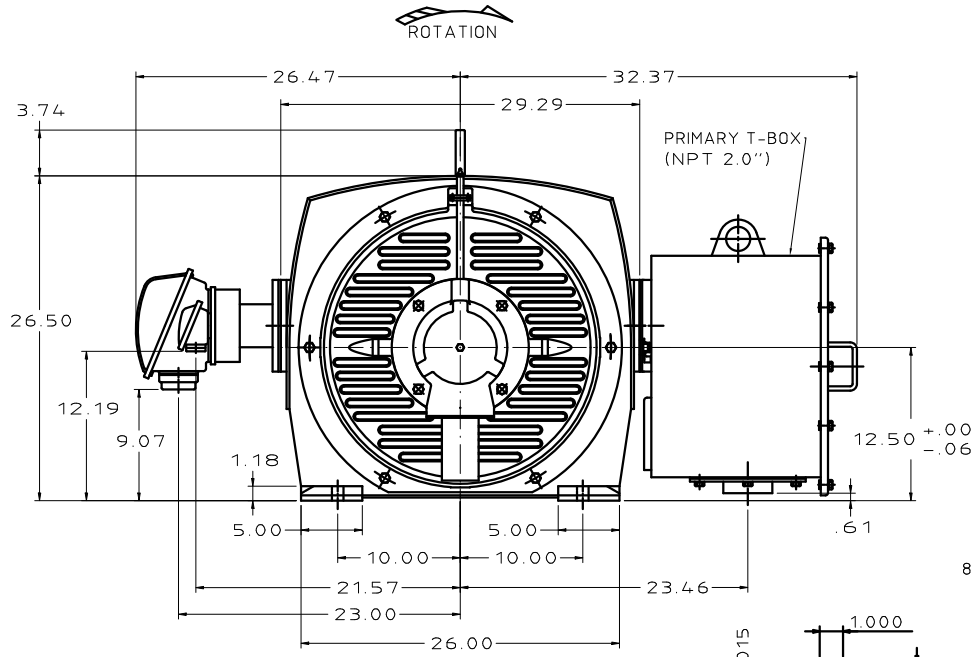


CATALOG #	ASHA	FRAME	OUTPUT		POLE	SYN. SPEED R.P.M.	VOLTAGE V.	Hz.	TIME RATING	INSULATION CLASS	SERVICE FACTOR	BEARINGS		WEIGHT LBS
			HP	kW								DE	NDE	
PG9004	AMHG	5012B	900	671.1	4	1800	2300/4160	60	CONT.	F	1.15	6324C3	6320C3	4400

WEATHER PROTECTED TYPE I. SQUIRREL CAGE ROTOR



- NOTES:
1. DIMENSIONS IN INCH.
 2. ENCLOSURE: IP23.
 3. FOR DIRECT FLEXIBLE COUPLING.
 4. SPACE HEATER RATED 120 VOLT, SINGLE PHASE.
 5. 100 OHM PLATINUM WINDING RTD'S, 2 PER PHASE.
 6. PROVISION FOR BEARING RTD MOUNTING: 2X .50" NPT PER BRACKET.

REF: 4B04.0L326	REV. DATA			REV NO
				01
	3-PHASE INDUCTION MOTOR			DWG NO.
	OUTLINE DIMENSIONS			PG9004
DWN K. MILNER		071817	APPD T. FELPS	071817
TECO-WESTINGHOUSE MOTOR COMPANY				ROUND ROCK, TEXAS USA